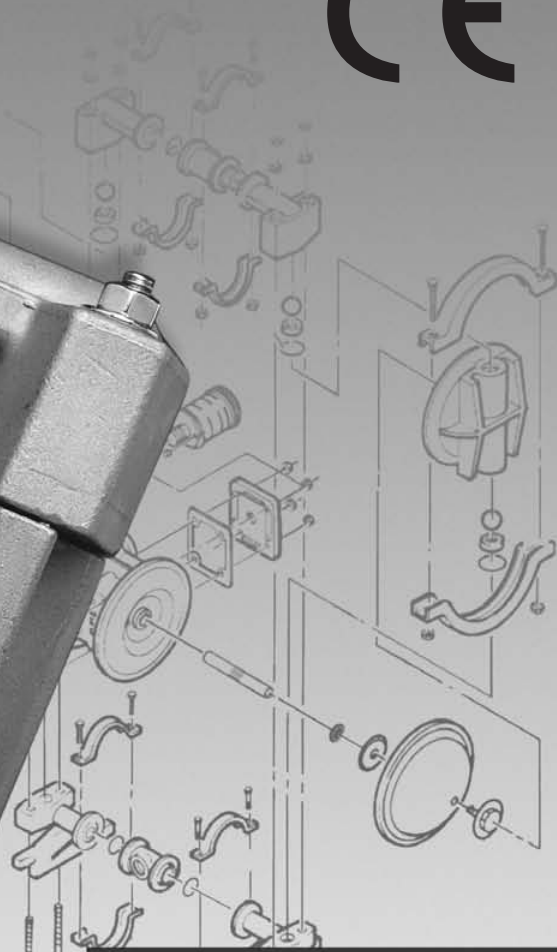
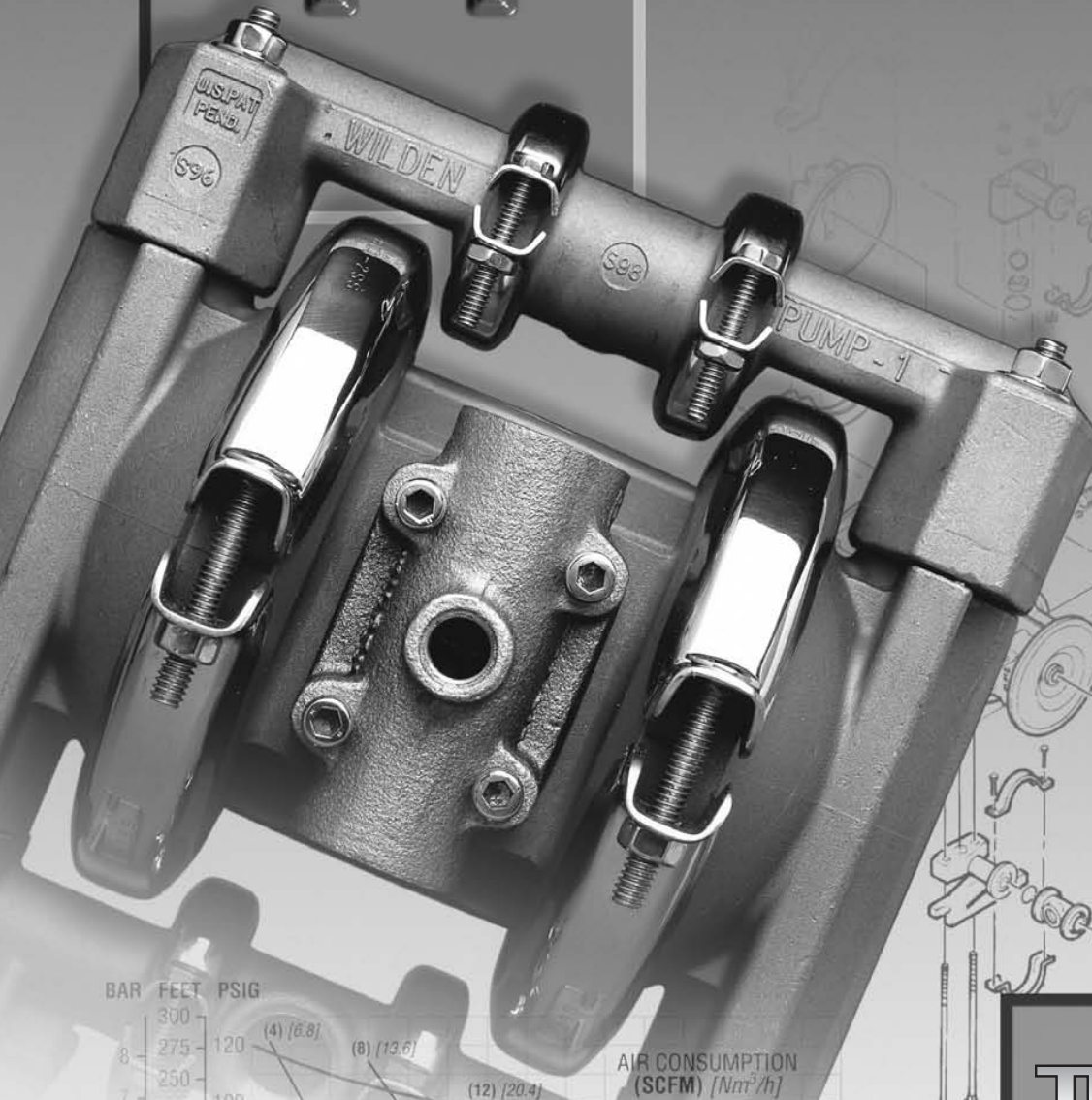


BIOPHARM™

T1

Engineering Operation & Maintenance



WILDEN®

A DOVER COMPANY

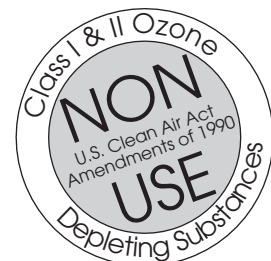
TURBO-FLO™
PROGRESSIVE PUMP TECHNOLOGY

Metal Pumps

Flow Rate (GPM)	Flow Rate (L/min)	Flow Rate (m ³ /h)
2	[7.6]	[15.1]
4	[15.1]	[30.3]
6	[22.7]	[45.4]
8	[30.3]	[60.5]
10	[37.9]	[75.6]
12	[45.4]	[90.7]
14	[53]	[105.8]

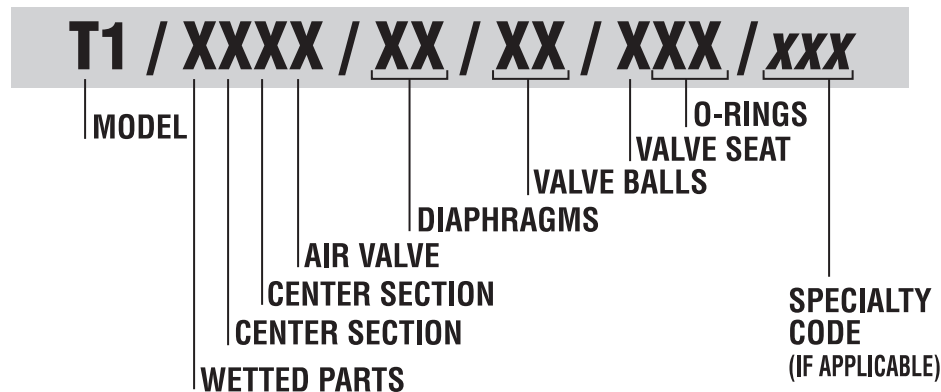
TABLE OF CONTENTS

	PAGE #
SECTION 1 – PUMP DESIGNATION SYSTEM	1
SECTION 2 – HOW IT WORKS	2
SECTION 3 – CAUTIONS	3
SECTION 4 – DIMENSIONAL DRAWINGS	
A. Model T1 METAL	4
B. Model T1 METAL BIOPHARM	5
SECTION 5 – PERFORMANCE CURVES	
A. Model T1 METAL Teflon®-Fitted	6
SECTION 6 – SUCTION LIFT CURVE	6
SECTION 7 – INSTALLATION & OPERATION	
A. Installation.....	7
B. Operation & Maintenance.....	8
C. Troubleshooting	9
SECTION 8 – DIRECTIONS FOR DISASSEMBLY/REASSEMBLY	
A. Model T1 METAL	10
B. Turbo-Flo™ Air Valve/Center Section – Repair and Maintenance	13
C. Reassembly Hints & Tips, Torque Specs	14
SECTION 9 – EXPLODED VIEW/PARTS LISTING	
A. Model T1 METAL Teflon®-Fitted	16
B. Material Code Designations	18



SECTION 1

WILDEN PUMP DESIGNATION SYSTEM



In the case where a center section is used instead of a center block and air chambers, the designation will be as follows: Nylon = YY

MODEL T1 METAL MATERIAL CODES

WETTED PARTS

H = HASTELLOY®
S = STAINLESS STEEL

AIR CHAMBERS

Y = NYLON

CENTER SECTION

Y = NYLON

AIR VALVE

B = BRASS
C = TEFLON® COATED
N = NICKEL PLATED

DIAPHRAGMS

TS = TEFLON® PTFE
W/SANIFLEX™
BACK-UP (White)

VALVE BALL

TF = TEFLON® PTFE
(White)

VALVE SEAT

H = HASTELLOY®
S = STAINLESS STEEL

VALVE SEAT O-RING

TF = TEFLON® PTFE

SPECIALTY CODE

(AVAILABILITY VARIES BY MODEL.)

900 BioPharm
901 BioPharm, BSP
902 BioPharm, DIN
903 BioPharm, FDA (Tri-Clover® flanges & wing nuts)
904 BioPharm, USDA (Food Master)
905 BioPharm, 3A (CIP), Wil-Gard 110V
906 BioPharm, 3A (CIP), Wil-Gard 220V
907 BioPharm, LSH, side ported
908 BioPharm, FDA, Accu-Flo, 24V DC coil
909 BioPharm, FDA, Accu-Flo, 24V DC x-proof coil
910 BioPharm, FDA, Accu-Flo, 24V AC / 12V DC coil
911 BioPharm, FDA, Accu-Flo, 24V AC / 12V DC x-proof coil
912 BioPharm, FDA, Accu-Flo, 110V AC coil
913 BioPharm, FDA, Accu-Flo, 110V AC x-proof coil
914 BioPharm, Accu-Flo, 24V DC coil
915 BioPharm, Accu-Flo, 24V DC x-proof coil
916 BioPharm, Accu-Flo, 24V AC / 12V DC coil
917 BioPharm, Accu-Flo, 24V AC / 12V DC x-proof coil
918 BioPharm, Accu-Flo, 110V AC coil
919 BioPharm, Accu-Flo, 110V AC x-proof coil

NOTE: MOST ELASTOMERIC MATERIALS USE COLORED DOTS FOR IDENTIFICATION.

SECTION 2

THE WILDEN PUMP – HOW IT WORKS

The Wilden diaphragm pump is an air-operated, positive displacement, self-priming pump. These drawings show the flow pattern through the pump upon its initial stroke. It is assumed the pump has no fluid in it prior to its initial stroke.

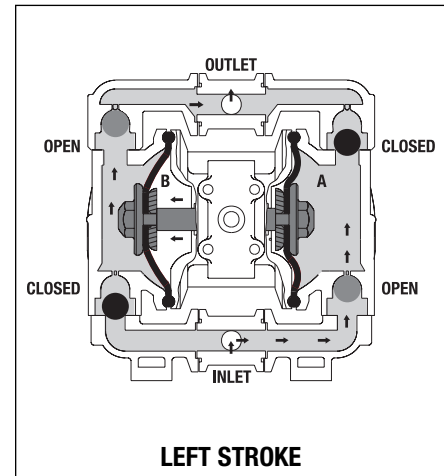
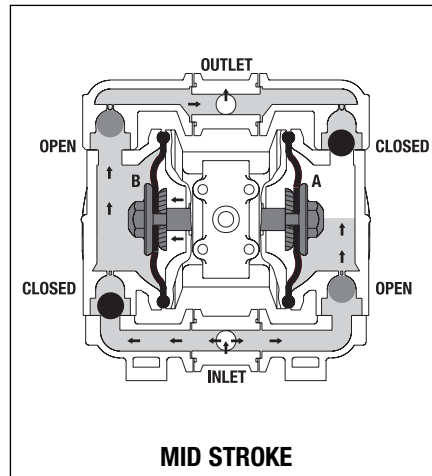
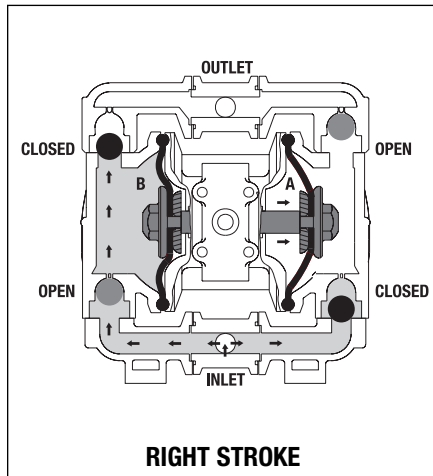


FIGURE 1 The air valve directs pressurized air to the back side of diaphragm A. The compressed air is applied directly to the liquid column separated by elastomeric diaphragms. The diaphragm acts as a separation membrane between the compressed air and liquid, balancing the load and removing mechanical stress from the diaphragm. The compressed air moves the diaphragm away from the center block of the pump. The opposite diaphragm is pulled in by the shaft connected to the pressurized diaphragm. Diaphragm B is on its suction stroke; air behind the diaphragm has been forced out to the atmosphere through the exhaust port of the pump. The movement of diaphragm B toward the center block of the pump creates a vacuum within chamber B. Atmospheric pressure forces fluid into the inlet manifold forcing the inlet valve ball off its seat. Liquid is free to move past the inlet valve ball and fill the liquid chamber (see shaded area).

FIGURE 2 When the pressurized diaphragm, diaphragm A, reaches the limit of its discharge stroke, the air valve redirects pressurized air to the back side of diaphragm B. The pressurized air forces diaphragm B away from the center block while pulling diaphragm A to the center block. Diaphragm B is now on its discharge stroke. Diaphragm B forces the inlet valve ball onto its seat due to the hydraulic forces developed in the liquid chamber and manifold of the pump. These same hydraulic forces lift the discharge valve ball off its seat, while the opposite discharge valve ball is forced onto its seat, forcing fluid to flow through the pump discharge. The movement of diaphragm A toward the center block of the pump creates a vacuum within liquid chamber A. Atmospheric pressure forces fluid into the inlet manifold of the pump. The inlet valve ball is forced off its seat allowing the fluid being pumped to fill the liquid chamber.

FIGURE 3 At completion of the stroke, the air valve again redirects air to the back side of diaphragm A, which starts diaphragm B on its exhaust stroke. As the pump reaches its original starting point, each diaphragm has gone through one exhaust and one discharge stroke. This constitutes one complete pumping cycle. The pump may take several cycles to completely prime depending on the conditions of the application.

SECTION 3

WILDEN MODEL T1 CAUTIONS – READ FIRST!



TEMPERATURE LIMITS:

Nylon	-17.8°C to 93.3°C	0°F to 200°F
Saniflex™	-28.9°C to 104.4°C	-20°F to 220°F
Teflon® PTFE	-28.9°C to 148.9°C	-20°F to 300°F



CAUTION: When choosing pump materials, be sure to check the temperature limits for all wetted components. Example: Viton® has a maximum limit of 176.7°C (350°F) but polypropylene has a maximum limit of only 79°C (175°F).



CAUTION: Maximum temperature limits are based upon mechanical stress only. Certain chemicals will significantly reduce maximum safe operating temperatures. Consult engineering guide for chemical compatibility and temperature limits.



CAUTION: Always wear safety glasses when operating pump. If diaphragm rupture occurs, material being pumped may be forced out air exhaust.



WARNING: Prevention of static sparking — If static sparking occurs, fire or explosion could result. Pump, valves, and containers must be properly grounded when handling flammable fluids and whenever discharge of static electricity is a hazard.



CAUTION: Do not exceed 8.6 bar (125 psig) air supply pressure.



CAUTION: Before any maintenance or repair is attempted, the compressed air line to the pump should be disconnected and all air pressure allowed to bleed from pump. Disconnect all intake, discharge and air lines. Drain the pump by turning it upside down and allowing any fluid to flow into a suitable container.



CAUTION: Blow out air line for 10 to 20 seconds before attaching to pump to make sure all pipe line debris is clear. Use an in-line air filter. A 5µ (micron) air filter is recommended.



NOTE: Tighten clamp bands and retainers prior to installation. Fittings may loosen during transportation.



NOTE: When installing Teflon® diaphragms, it is important to tighten outer pistons simultaneously (turning in opposite directions) to ensure tight fit.



NOTE: Before starting disassembly, mark a line from each liquid chamber to its corresponding air chamber. This line will assist in proper alignment during reassembly.



CAUTION: Verify the chemical compatibility of the process and cleaning fluid to the pump's component materials in the Chemical Resistance Guide (see E4).



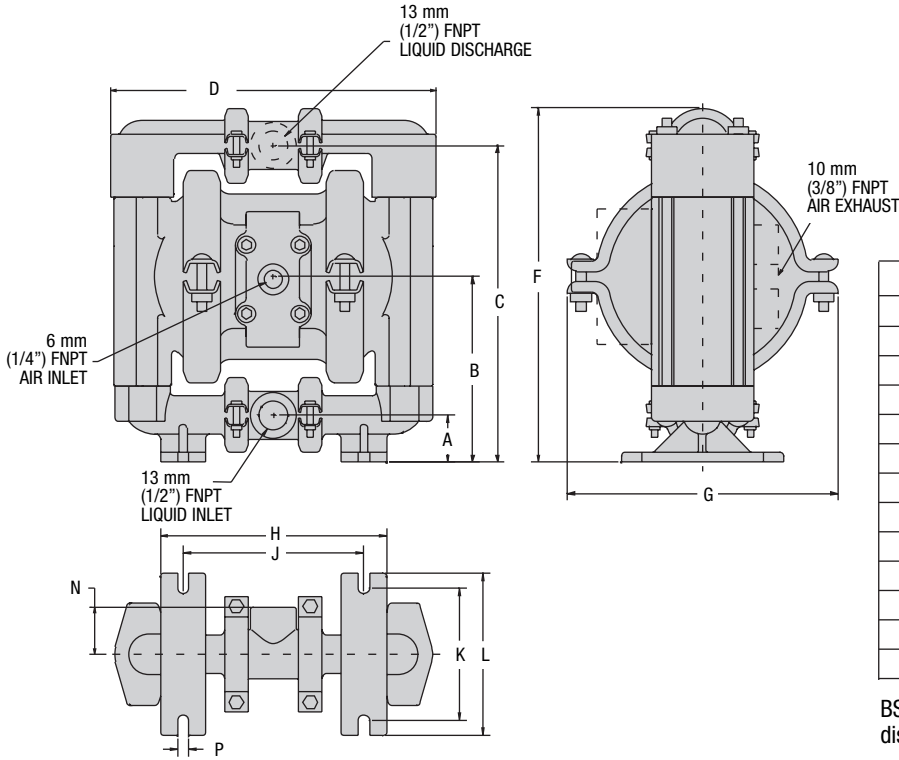
CAUTION: When removing the end cap using compressed air, the air valve end cap may come out with considerable force. Hand protection such as a padded glove or rag should be used to capture the end cap.



NOTE: All non lube-free air-operated pumps must be lubricated. Wilden suggests an arctic 5 weight oil (ISO grade 15). Do not over-lubricate air supply. Over-lubrication will reduce pump performance.

SECTION 4A

DIMENSIONAL DRAWING WILDEN MODEL T1 METAL

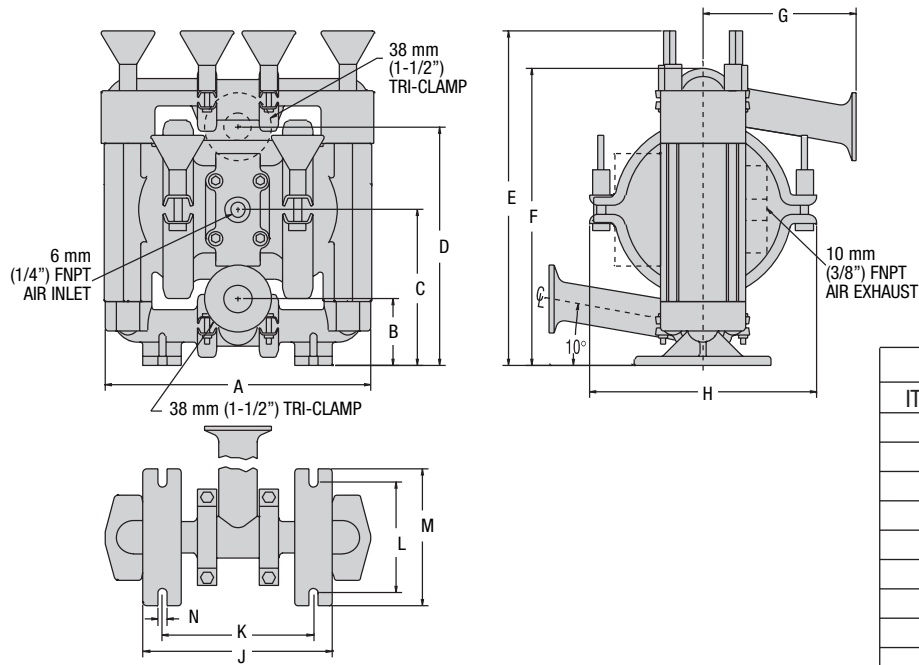


DIMENSIONS - T1 METAL		
ITEM	METRIC (mm)	STANDARD (inch)
A	29	1.1
B	116	4.6
C	199	7.8
D	203	8.0
F	222	8.8
G	175	6.9
H	140	5.5
J	112	4.4
K	83	3.3
L	102	4.0
N	30	1.2
P	7	0.3

BSP threads available for liquid inlet and discharge.

SECTION 4B

DIMENSIONAL DRAWING WILDEN MODEL T1 METAL BIOPHARM



DIMENSIONS – T1 BIOPHARM		
ITEM	METRIC (mm)	STANDARD (inch)
A	204	8.0
B	48	1.9
C	118	4.7
D	175	6.9
E	255	10.0
F	222	8.8
G	115	4.5
H	173	6.8
J	143	5.6
K	114	4.5
L	83	3.3
M	102	4.0
N	7	0.3

Interior/Exterior Food Processing finish is 50 GRIT.

SECTION 7A

INSTALLATION

The Model T1 Metal pump has a 13 mm ($\frac{1}{2}$ ") inlet and 13 mm ($\frac{1}{2}$ ") outlet and is designed for flows to 53 lpm (14.0 gpm). The T1 Metal pump is manufactured with wetted parts of Hastelloy® or stainless steel. The center section of the T1 Metal pump is of nylon construction. The air distribution system consists of a brass air valve body, aluminum air valve piston, Buna-N o-rings and a bronze center section bushing. A variety of diaphragms, valve balls, valve seats, and o-rings are available to satisfy temperature, chemical compatibility, abrasion and flex concerns.

The suction pipe size should be at least 13 mm ($\frac{1}{2}$ ") diameter or larger if highly viscous material is being pumped. The suction hose must be non-collapsible, reinforced type as the T1 is capable of pulling a high vacuum. Discharge piping should be at least 13 mm ($\frac{1}{2}$ "); larger diameter can be used to reduce friction losses. It is critical that all fittings and connections are airtight or a reduction or loss of pump suction capability will result.

INSTALLATION: Months of careful planning, study, and selection efforts can result in unsatisfactory pump performance if installation details are left to chance.

Premature failure and long term dissatisfaction can be avoided if reasonable care is exercised throughout the installation process.

LOCATION: Noise, safety, and other logistical factors usually dictate that "utility" equipment be situated away from the production floor. Multiple installations with conflicting requirements can result in congestion of utility areas, leaving few choices for siting of additional pumps.

Within the framework of these and other existing conditions, every pump should be located in such a way that key factors are balanced against each other to maximum advantage.

ACCESS: First of all, the location should be accessible. If it's easy to reach the pump, maintenance personnel will have an easier time carrying out routine inspections and adjustments. Should major repairs become necessary, ease of access can play a key role in speeding the repair process and reducing total downtime.

AIR SUPPLY: Every pump location should have an air line large enough to supply the volume of air necessary to achieve the desired pumping rate (see pump performance chart). Use air pressure up to a maximum of 8.6 bar (125 psig) depending upon pumping requirements. The use of an air filter before the pump will ensure that the majority of any pipeline contaminants will be eliminated. For best results, the pumps should use an air filter, regulator, and lubricator system.

ELEVATION: Selecting a site that is well within the pump's suction lift capability will assure that loss-of-prime troubles will be eliminated. In addition, pump efficiency can be adversely affected if proper attention is not given to elevation (see pump performance chart).

PIPING: Final determination of the pump site should not be made until the piping problems of each possible location have been evaluated. The impact of current and future installations should be considered ahead of time to make sure that inadvertent restrictions are not created for any remaining sites.

The best choice possible will be a site involving the shortest and the straightest hook-up of suction and discharge piping. Unnecessary elbows, bends, and fittings should be avoided. Pipe sizes should be selected so as to keep friction losses within practical limits. All piping should be supported independently of the pump. In addition, it should line up without placing stress on the pump fittings.

Expansion joints can be installed to aid in absorbing the forces created by the natural reciprocating action of the pump. If the pump is to be bolted down to a solid foundation, a mounting pad placed between the pump and foundation will assist in minimizing pump vibration. Flexible connections between the pump and rigid piping will also assist in minimizing pump vibration. If quick-closing valves are installed at any point in the discharge system, or if pulsation within a system becomes a problem, a surge suppressor should be installed to protect the pump, piping and gauges from surges and water hammer.

When pumps are installed in applications involving flooded suction or suction head pressures, a gate valve should be installed in the suction line to permit closing of the line for pump service.

The T1 can be used in submersible applications only when both wetted and non-wetted portions are compatible with the material being pumped. If the pump is to be used in a submersible application, a hose should be attached to the pump's air exhaust and the exhaust air piped above the liquid level.

If the pump is to be used in a self-priming application, be sure that all connections are airtight and that the suction lift is within the pump's ability. Note: Materials of construction and elastomer material have an effect on suction lift parameters. Please refer to pump performance data.

Pumps in service with a positive suction head are most efficient when inlet pressure is limited to .5-.7 bar (7-10 psig). Premature diaphragm failure may occur if positive suction is .8 bar (11 psig) and higher.

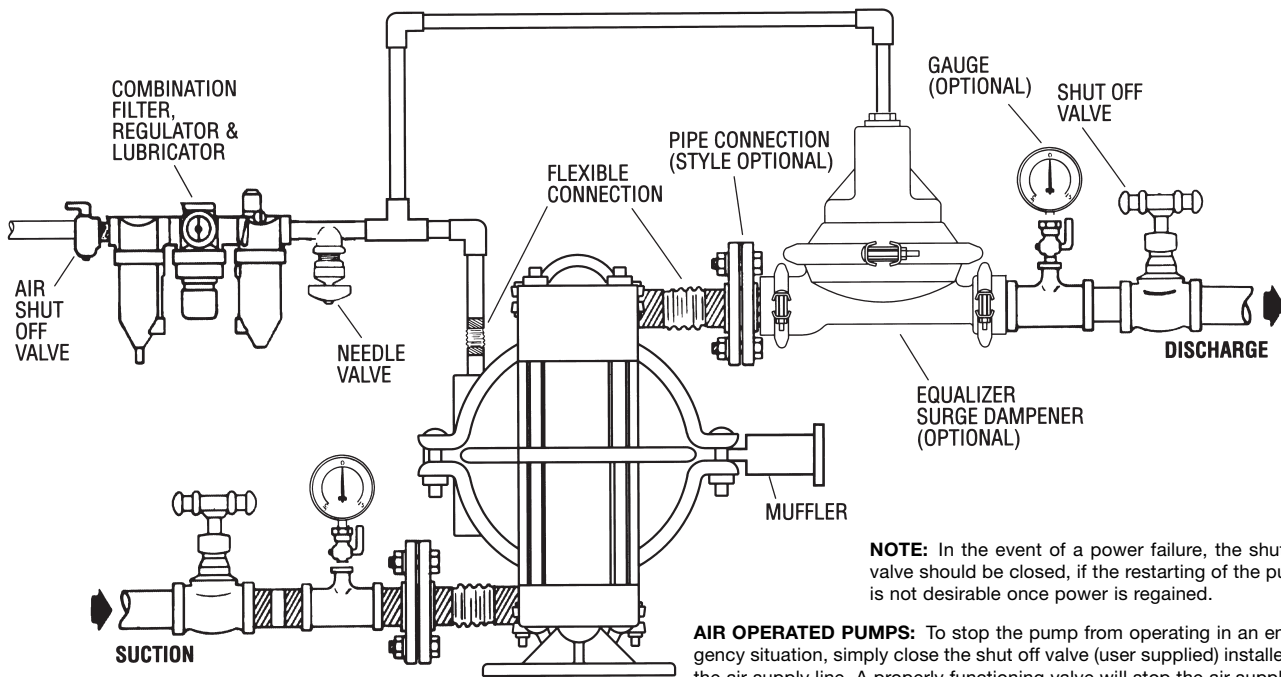
THE MODEL T1 WILL PASS 1.6 mm ($\frac{1}{16}$ ") SOLIDS. WHENEVER THE POSSIBILITY EXISTS THAT LARGER SOLID OBJECTS MAY BE SUCKED INTO THE PUMP, A STRAINER SHOULD BE USED ON THE SUCTION LINE.

CAUTION: DO NOT EXCEED 8.6 BAR (125 PSIG) AIR SUPPLY PRESSURE.

BLOW OUT AIR LINE FOR 10 TO 20 SECONDS BEFORE ATTACHING TO PUMP TO MAKE SURE ALL PIPE LINE DEBRIS IS CLEAR. ALWAYS USE AN IN-LINE AIR FILTER.

PUMPS SHOULD BE THOROUGHLY FLUSHED WITH WATER BEFORE INSTALLING INTO PROCESS LINES. FDA AND USDA PUMPS SHOULD BE CLEANED AND/OR SANITIZED BEFORE USE ON EDIBLE PRODUCTS.

SUGGESTED INSTALLATION



NOTE: In the event of a power failure, the shut off valve should be closed, if the restarting of the pump is not desirable once power is regained.

AIR OPERATED PUMPS: To stop the pump from operating in an emergency situation, simply close the shut off valve (user supplied) installed in the air supply line. A properly functioning valve will stop the air supply to the pump, therefore stopping output. This shut off valve should be located far enough away from the pumping equipment such that it can be reached safely in an emergency situation.

SECTION 7B

SUGGESTED OPERATION AND MAINTENANCE INSTRUCTIONS

OPERATION: Pump discharge rate can be controlled by limiting the volume and/or pressure of the air supply to the pump (preferred method). A regulator is used to regulate air pressure. A needle valve is used to regulate air volume. Pump discharge rate can also be controlled by throttling the pump discharge by partially closing a valve in the discharge line of the pump. This action increases friction loss which reduces flow rate. This is useful when the need exists to control the pump from a remote location. When the pump discharge pressure equals or exceeds the air supply pressure, the pump will stop; no bypass or pressure relief valve is needed, and pump damage will not occur. The pump has reached a “deadhead” situation and can be restarted by reducing the fluid discharge pressure or increasing the air inlet pressure. The Wilden T1 pump runs solely on compressed air and does not generate heat, therefore your process fluid temperature will not be affected.

RECORDS: When service is required, a record should be made of all necessary repairs and replacements. Over a period of time, such records can become a valuable tool for predicting and preventing future maintenance problems and unscheduled downtime. In addition, accurate records make it possible to identify pumps that are poorly suited to their applications.

MAINTENANCE AND INSPECTIONS: Since each application is unique, maintenance schedules may be different for every pump. Frequency of use, line pressure, viscosity and abrasiveness of process fluid all affect the parts life of a Wilden pump. Periodic inspections have been found to offer the best means for preventing unscheduled pump downtime. Personnel familiar with the pump’s construction and service should be informed of any abnormalities that are detected during operation.

SECTION 7D

TROUBLESHOOTING

Pump will not run or runs slowly.

1. Check air inlet screen and air filter for debris.
2. Check for sticking air valve, flush air valve in solvent.
3. Check for worn out air valve. If piston face in air valve is shiny instead of dull, air valve is probably worn beyond working tolerances and must be replaced.
4. Check center block o-rings. If worn excessively, they will not seal and air will simply flow through pump and out air exhaust. Use only Wilden o-rings as they are of special construction and ISO 15-5 wt oil with arctic characteristics.
5. Check for rotating piston in air valve.
6. Check for over-torquing of air valve (lube-free only). Over-torquing may cause air valve piston to stick.

Pump runs but little or no product flows.

1. Check for pump cavitation; slow pump speed down to match thickness of material being pumped.
2. Check for sticking ball check valves. If material being pumped is not compatible with pump elastomers, swelling may occur. Replace ball check valves and o-ring with the proper elastomers.

3. Check to make sure all suction connections are air tight, especially clamp bands around intake balls.

Pump air valve freezes.

Check for excessive moisture in compressed air. Either install dryer or hot air generator for compressed air.

Air bubbles in pump discharge.

1. Check for ruptured diaphragm.
2. Check tightness of clamp bands, and the integrity of the o-rings, especially at intake manifold.

Product comes out air exhaust.

1. Check for diaphragm rupture.
2. Check tightness of piston plates to shaft.

Pump rattles.

1. See E9 Troubleshooting Guide.
2. Create false discharge head or suction lift.

SECTION 8A

MODEL T1 METAL DIRECTIONS FOR DISASSEMBLY/REASSEMBLY

CAUTION: Before any maintenance or repair is attempted, the compressed air line to the pump should be disconnected and all air pressure allowed to bleed from the pump. Disconnect all intake, discharge, and air lines. Drain the pump by turning it upside down and allowing any fluid to flow into a suitable container. Be aware of any hazardous effects of contact with your process fluid.

The Wilden model T1 has a 13 mm ($\frac{1}{2}$ ") inlet and outlet and is designed for flows up to 53 lpm (14.0 gpm). The single-piece center section, consisting of center block and air chambers, is molded of nylon. All fasteners and hardware are stainless steel and the air valve is manufactured of brass or high-tech engineered thermoplastic. All o-rings used in the pump are of a special material and shore hardness which should only be replaced with factory-supplied parts.

TOOLS REQUIRED:

$\frac{5}{16}$ " Wrench

$\frac{3}{8}$ " Box Wrench

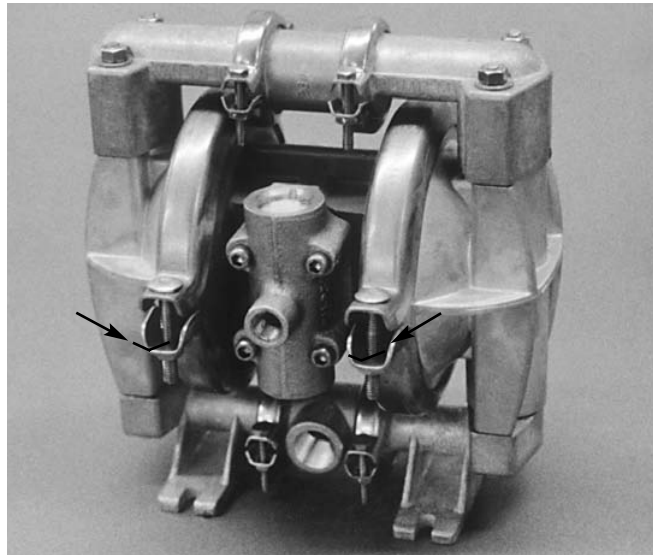
$\frac{7}{16}$ " Wrench

$\frac{3}{16}$ " Allen Wrench

Adjustable Wrench

Vise equipped with soft jaws (such as plywood, plastic or other suitable material)

NOTE: The model used for these instructions incorporates rubber diaphragms, balls, and seats. Models with Teflon® diaphragms, balls and seats are the same except where noted.

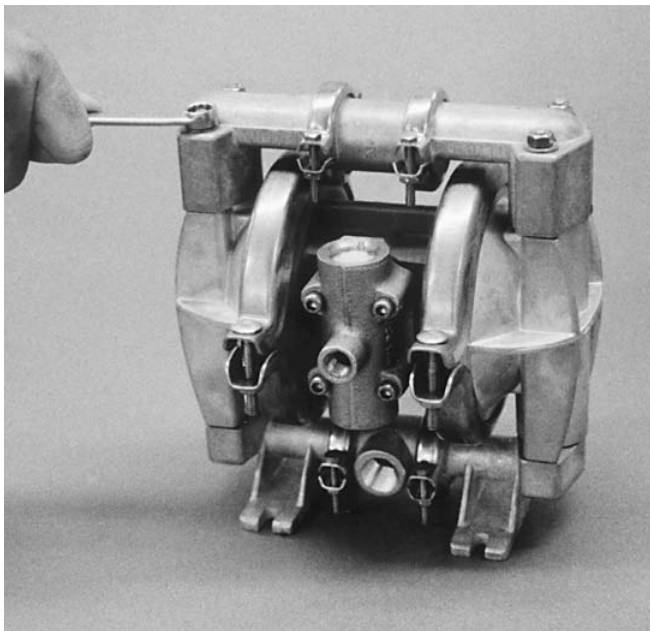


DISASSEMBLY:

Figure 1

Step 1.

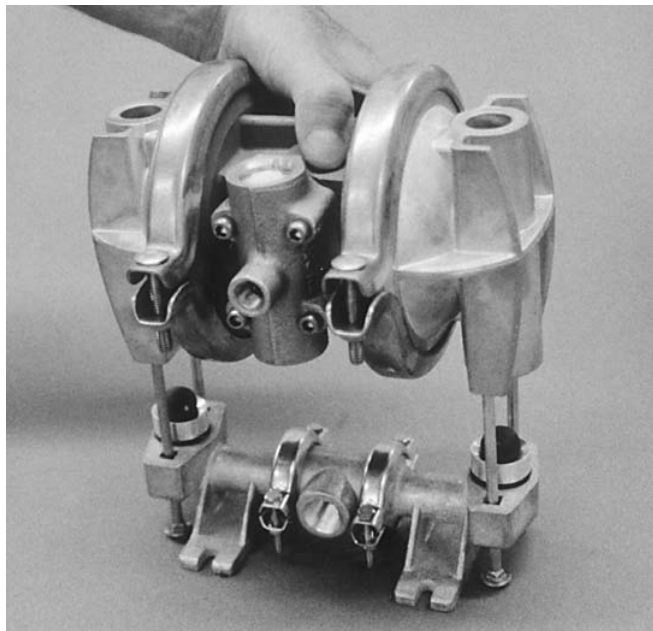
Before starting disassembly, mark a line from each liquid chamber to its corresponding air chamber. This line will assist in proper alignment during reassembly. (Figure 1)



Step 2.

Figure 2

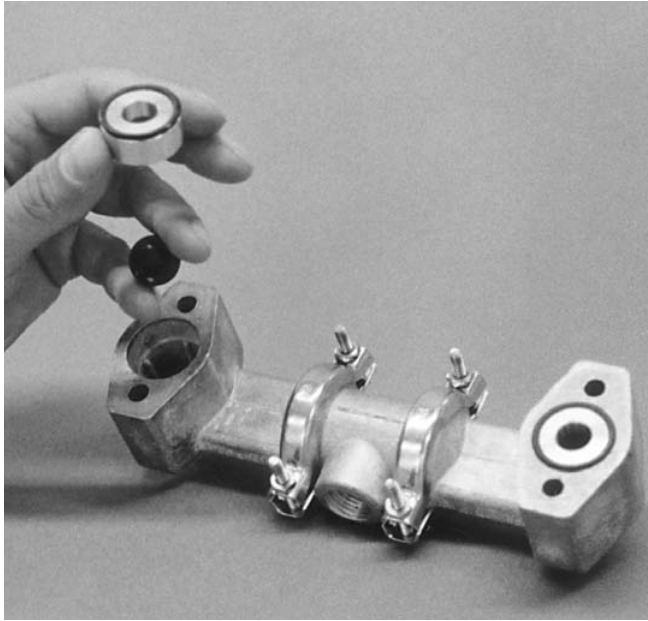
Utilizing the $\frac{3}{8}$ " box wrench, start by removing the four long carriage bolts that hold the top and bottom manifolds to the center section. (Figure 2)



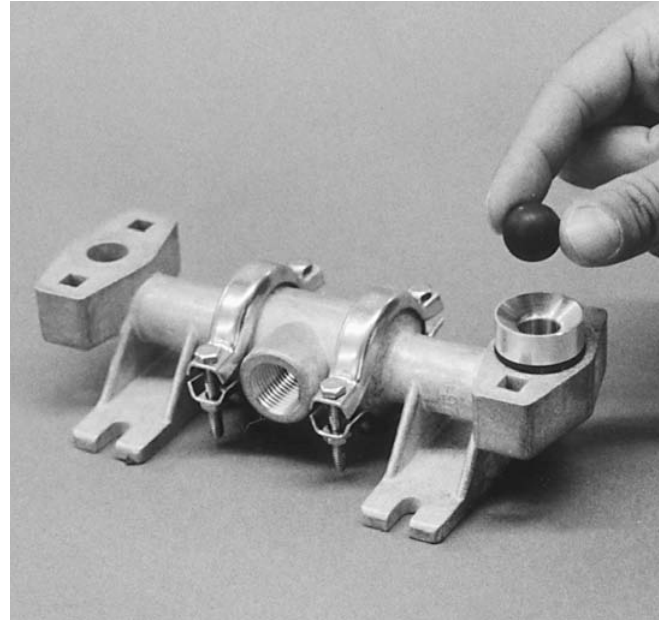
Step 3.

Figure 3

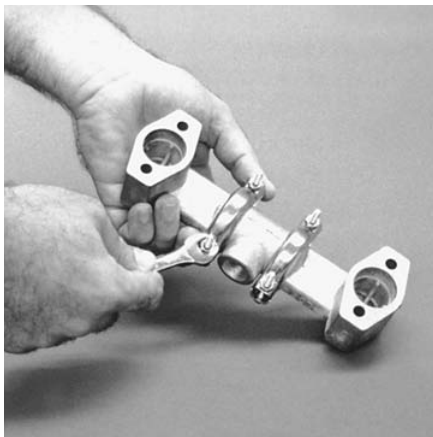
Remove the top manifold and lift the center section off the inlet manifold. (Figure 3)



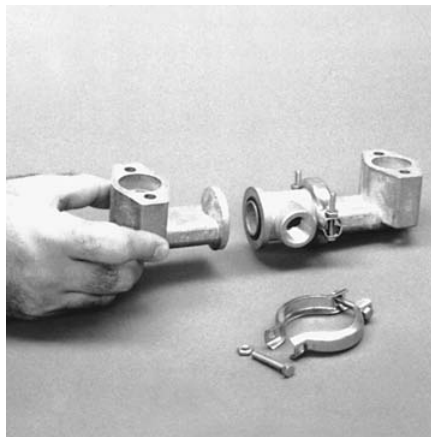
Step 4. *Figure 4*
 Remove the discharge valve balls, seats and o-rings from the discharge manifold and inspect for nicks, gouges, chemical attack or abrasive wear. Replace worn parts with genuine Wilden parts for reliable performance. Teflon® o-rings should be replaced when reassembled. (*Figure 4*)



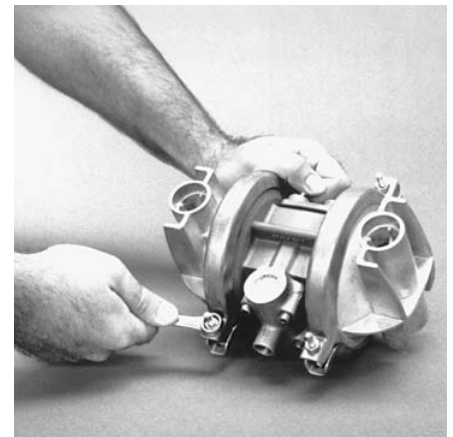
Step 5. *Figure 5*
 Inspect the ball retainer, retainer o-ring, and valve ball from intake manifold. Check for nicks, gouges, chemical attack or abrasive wear. Replace worn parts with genuine Wilden parts for reliable performance. Teflon® o-rings should be replaced when reassembled. (*Figure 5*)



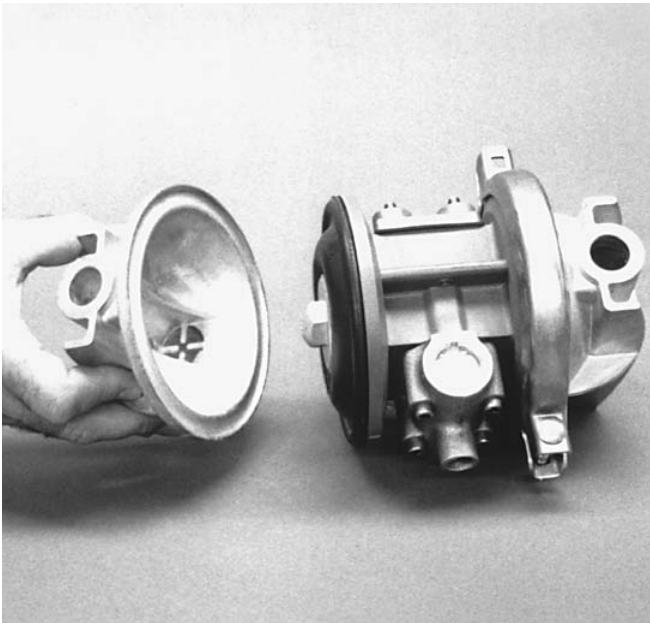
Step 6. *Figure 6*
 Normally the inlet and discharge manifold should not be disassembled during regular pump maintenance. Should this be necessary completely remove and disassemble manifold clamp bands. (*Figure 6*)



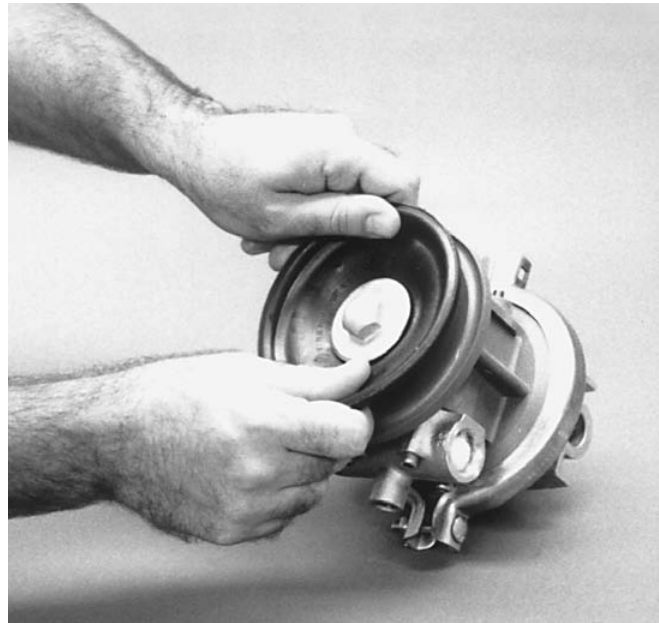
Step 7. *Figure 7*
 Inspect o-rings for wear or damage and replace if necessary. Teflon® o-rings should be replaced when reassembled. (*Figure 7*)



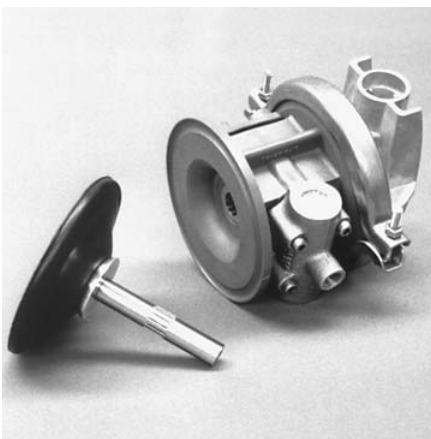
Step 8. *Figure 8*
 Use a 1/16" wrench to remove one set of clamp bands that secure one liquid chamber to the one-piece center section. (*Figure 8*)



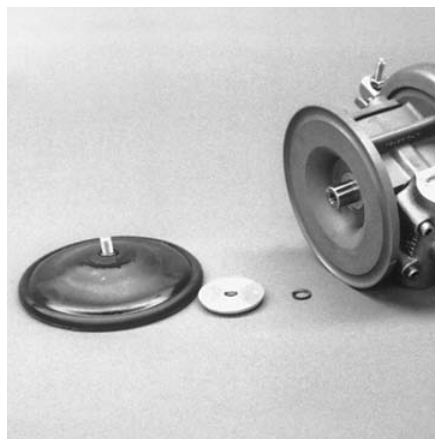
Step 9. *Figure 9*
Lift the liquid chamber away from the center section to expose the diaphragm and outer piston. (*Figure 9*)



Step 10. *Figure 10*
Using an adjustable wrench, or by rotating the diaphragm by hand, remove the diaphragm assembly from the center section. (*Figure 10*)



Step 11A. *Figure 11A*
NOTE: Due to varying torque values, one of the following two situations may occur: 1) The outer piston, diaphragm and inner piston remain attached to the shaft and the entire assembly can be removed from the center section. (*Figure 11A*)



Step 11B. *Figure 11B*
2) The outer piston, diaphragm, inner piston, and disc spring separate from the shaft which remains connected to the opposite side diaphragm assembly (*Figure 11B*). Teflon®-fitted pumps come standard with back-up diaphragms (not shown).



Step 12. *Figure 12*
To remove the diaphragm assembly from the shaft, secure shaft with soft jaws (a vise fitted with plywood or other suitable material) to ensure shaft is not nicked, scratched, or gouged. Using an adjustable wrench, remove diaphragm assembly from shaft. Inspect all parts for wear and replace with genuine Wilden parts if necessary. (*Figure 12*)

SECTION 8B

AIR VALVE / CENTER SECTION REPAIR / MAINTENANCE

The center section assembly consists of both the air valve body and piston and the center section. The unique design of the air valve relies only on differential pressure to cause the air valve to shift. It is reliable and simple to maintain. The bushing in the center block, along with the diaphragm shaft, provides the signal to tell the air valve to shift. The following procedure will ensure that the air valve on your Wilden pump will provide long trouble-free service.

AIR VALVE BODY AND PISTON ASSEMBLY AND DISASSEMBLY

The air valve body and piston can be disconnected from the pump by removing the four socket-head cap screws which attach it to the center section. The piston in the air valve is aluminum with a dark gray anodized coating. The piston should move freely and the ports in the piston should line up with the ports on the face of the air valve body. The piston should also appear to be a dull, dark gray color. If the piston appears to be a shiny aluminum color, the air valve is probably worn beyond working tolerances and should be replaced.

If the piston does not move freely in the air valve, the entire air valve should be immersed in a cleaning solution. (NOTE: Do not force the piston by inserting a metal object.) This soaking should remove any accumulation of sludge and grit which is preventing the air valve piston from moving freely. If the air valve piston does not move freely after the above cleaning, the

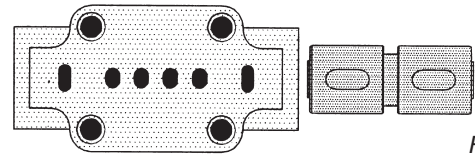


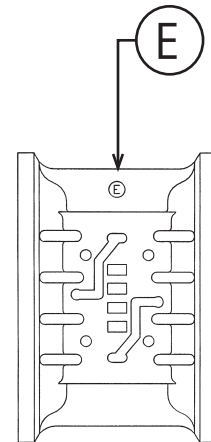
Figure A

air valve should be disassembled as follows: Remove the snap ring from the top end of the air valve cylinder and apply an air jet to the 3.175mm (1/8") hole on the opposite end of the air valve face. **[CAUTION: The air valve end cap (P/N 01-2330-23 may come out with considerable force. Hand protection such as a padded glove or a rag should be used to capture the end cap.]** Inspect the piston and cylinder bore for nicks and scoring.

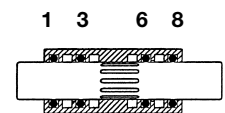
Inspect the air valve side of the center section for flatness and to insure no nicks or other damage exists that would prevent the air valve from sealing when installed. Inspect the two channels and their ports to make sure they are clean and the ports are open to the bushing. The air valve will not shift if these ports are plugged or an o-ring is in the wrong groove of the center section closing off a port. Inspect the anti-centering pin holes found at the ends of the air valve piston and ensure they are free of debris. Inspect the air valve gasket and muffler plate gasket and replace if damaged. **Attach the air valve to the center section and tighten to the required torque specifications*.**

GLYD™ RING REPLACEMENT/ CENTER SECTION

The pump's center section consists of a molded housing with a bronze bushing. (Bushing is not removable.) This bushing has grooves cut into the inside diameter. Glyd™ rings are installed in these grooves. When the Glyd™ rings become worn, they will no longer seal and must be replaced.



ENHANCED SHAFT



ENHANCED CONFIGURATION

SECTION 8C

REASSEMBLY HINTS & TIPS

ASSEMBLY:

Upon performing applicable maintenance to the air distribution system, the pump can now be reassembled. Please refer to the disassembly instructions for photos and parts placement. To reassemble the pump, follow the disassembly instructions in reverse order. The air distribution system needs to be assembled first, then the diaphragms and finally the wetted path. Please find the applicable torque specifications on this page. The following tips will assist in the assembly process.

- Clean the inside of the center section shaft bushing to ensure no damage is done to new seals.
- Stainless bolts should be lubed to reduce the possibility of seizing during tightening.
- Level the water chamber side of the intake/discharge manifold to ensure a proper sealing surface. This is most easily accomplished by placing them on a flat surface prior to tightening their clamp bands to the desired torque (see this page for torque specs).
- Be sure to tighten outer pistons simultaneously on Teflon®-fitted pumps to ensure proper torque values.
- Ensure proper mating of liquid chambers to manifolds prior to tightening vertical bolts. Overhang should be equal on both sides.
- Apply a small amount of Loctite 242 to the steel bore of the shaft from the diaphragm assembly.

MAXIMUM TORQUE SPECIFICATIONS

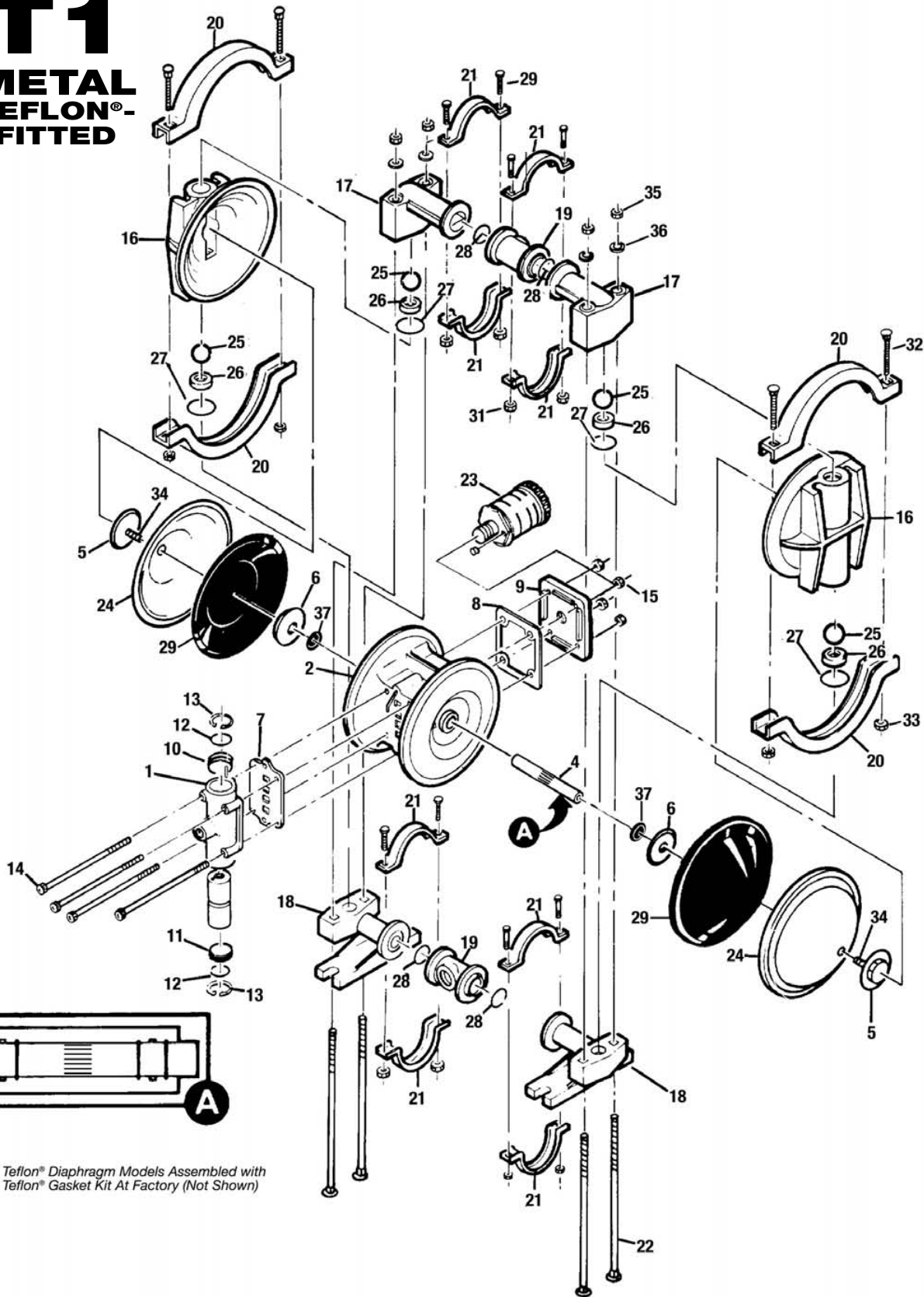
Description of Part	Metal Pumps
Air Valve	2.3 N•m [20 in.-lbs.]
Outer Piston	8.7 N•m [75 in.-lbs.]
Small Clamp Band	1.7 N•m [15 in.-lbs.]
Large Clamp Band (Teflon®-Fitted)	9.6 N•m [85 in.-lbs.]
Vertical Bolts	14.1 N•m [125 in.-lbs.]

SECTION 9A

EXPLODED VIEW/PARTS LISTING

T1

**METAL
TEFLON®-
FITTED**



NOTE: Teflon® Diaphragm Models Assembled with Teflon® Gasket Kit At Factory (Not Shown)

MODEL T1 METAL, TEFLON®-FITTED

Item	Part Description	Qty. Per Pump	T1/ SYYB/900	T1/ HYYB/900	T1/SYYN TS/TF/STF/903
			P/N	P/N	P/N
1	Air Valve Assembly ¹	1	01-2000-07	01-2000-07	01-2000-06
2	Center Section	1	01-3153-23	01-3153-23	01-3153-23
3	Center Block Glyd™ Ring	4	01-3220-55	01-3220-55	01-3220-55
4	Shaft	1	01-3800-03-07	01-3800-03-07	01-3800-03-07
5	Pistons/Outer	2	01-4570-03	01-4570-04	01-4570-03
6	Pistons/Inner	2	01-3710-01	01-3710-01	01-3710-01
7	Air Valve Gasket	1	01-2600-52	01-2600-52	01-2600-52
8	Muffler Plate Gasket	1	01-3500-52	01-3500-52	01-3500-52
9	Muffler Plate	1	01-3180-23	01-3180-23	01-3180-23
10	End Cap w/Guide	1	01-2300-23	01-2300-23	01-2300-23
11	End Cap w/o Guide	1	01-2330-23	01-2330-23	01-2330-23
12	Buna-N O-Ring - 115 70 Shore	2	01-2390-52	01-2390-52	01-2390-52
13	End Cap Snap Ring	2	01-2650-03	01-2650-03	01-2650-03
14	Air Valve Cap Screw 1/2"-20 x 4 1/2"	4	01-6000-03	01-6000-03	01-6000-03
15	Air Valve Cap Screw Nut 1/2"-20	4	04-6400-03	04-6400-03	04-6400-03
16	Liquid Chamber	2	01-5000-03	01-5000-04	01-5000-03
17	Discharge Manifold Elbow	2	01-5230-03	01-5230-04	01-5230-03
18	Inlet Manifold Elbow	2	01-5220-03	01-5220-04	01-5220-03
19	Manifold "T" Section	2	01-5160-03	01-5160-04	01-5160-03-70
20	Clamp Band (Large) Assy.	2	01-7300-03	01-7300-03	01-7300-03
21	Clamp Band (Small) Assy.	4	01-7100-03	01-7100-03	01-7100-03
22	Vertical Bolt 1/2"-20 x 7 1/2"	4	01-6080-03	01-6080-03	01-6080-03
23	Muffler	1	01-3510-99	01-3510-99	01-3510-99
24	Diaphragm	2	01-1010-55	01-1010-55	01-1010-55
25	Valve Ball	4	01-1080-55	01-1080-55	01-1080-55
26	Valve Seat	4	01-1120-03	01-1120-04	01-1120-03
27	Valve Seat O-Ring	4	01-1200-55	01-1200-55	01-1200-55
28	Manifold O-Ring	4	01-1300-55	01-1300-55	01-1300-55
29	Back-up Diaphragm	2	01-1060-56	01-1060-56	01-1060-56
30	Small Clamp Band Bolt #10-24 x 1"	8	01-6101-03	01-6101-03	01-6101-03
31	Small Clamp Band Nut #10-24	8	01-6400-03	01-6400-03	01-6400-03
32	Large Clamp Band Bolt 1/2"-20 x 1 1/2"	4	01-6070-03	01-6070-03	01-6070-03
33	Large Clamp Band Nut 1/2"-20	4	04-6400-03	04-6400-03	04-6650-03-70
34	Shaft Stud	2	01-6150-03	N/A	01-6150-03
35	Vertical Bolt Nut 1/2"-20	4	04-6400-03	04-6400-03	04-6650-03-70
36	Vertical Bolt Washer	4	01-6730-03	01-6730-03	01-6730-03
37	Disc Spring	2	01-6802-08	01-6802-08	01-6802-08

SECTION 9B

MATERIAL CODE DESIGNATIONS

Material Code	Material Description	Material Code	Material Description
01	Aluminum	51	Neoprene
02	Cast Iron	52	Buna-N / Nitrile
03	Stainless Steel	53	Viton® / FKM
04	Hastelloy®	54	Nordel® / EPDM
05	Teflon® coated	55	Teflon® / PTFE
06	Electroless, nickel plated	56	Saniflex™ / Hytrel
07	Brass	57	FDA Wil-Flex™
08	Alloy Steel	58	Wil-Flex™
09	Mild steel, chrome plated	59	Teflon® encapsulated silicone
10	Stainless steel, polished	60	Teflon® encapsulated Viton®
11	Aluminum, anodized	61	Buna-N high temp.
12	Cardboard	62	Polyurethane - ether
13	Acetal	63	50/50 Wil-Flex™
14	Plexiglass®	64	PTFE/Neoprene laminate
16	Acetal, carbon filled	65	Isoplast®
17	Polyvinyl Chloride (PVC)	66	Delrin® AF
20	Polypropylene	67	R.T.P.
21	Kynar®/PVDF	68	FDA Viton®
22	Teflon®/PFA	69	FDA Buna-N
23	Nylon	70	Isoplast®, SS filled
24	Phenolic	71	Verton®
26	Polyethylene	72	PTFE/EPDM laminate
28	Nylon, graphite filled	73	HALAR® coated aluminum
29	Nylon, clear	74	FDA EPDM
30	Cellulose fiber	75	Polyetheretherketone (PEEK), carbon filled
31	Armstrong N8090	76	Polyetherimide (PEI)
32	UHMW Polyethylene	77	Polyphenylene sulfide (PPS), glass filled
33	Chemraz®	78	Vinyl ester, glass filled
34	Fluoro-Seal™	79	G-10 fiberglass
37	Turcite®	81	EPDM/PTFE laminate
48	Expanded PTFE	82	Viton/PTFE laminate
49	Polyurethane	99	Multiple materials/Assemblies
50	Polyurethane - ester		

WARRANTY

Each and every product manufactured by Wilden Pump and Engineering, LLC is built to meet the highest standards of quality. Every pump is functionally tested to insure integrity of operation.

Wilden Pump and Engineering, LLC warrants that pumps, accessories and parts manufactured or supplied by it to be free from defects in material and workmanship for a period of five (5) years from date of installation or six (6) years from date of manufacture, whichever comes first. Failure due to normal wear, misapplication, or abuse is, of course, excluded from this warranty.

Since the use of Wilden pumps and parts is beyond our control, we cannot guarantee the suitability of any pump or part for a particular application and Wilden Pump and Engineering, LLC shall not be liable for any consequential damage or expense arising from the use or misuse of its products on any application. Responsibility is limited solely to replacement or repair of defective Wilden pumps and parts.

All decisions as to the cause of failure are the sole determination of Wilden Pump and Engineering, LLC.

Prior approval must be obtained from Wilden for return of any items for warranty consideration and must be accompanied by the appropriate MSDS for the product(s) involved. A Return Goods Tag, obtained from an authorized Wilden distributor, must be included with the items which must be shipped freight prepaid.

The foregoing warranty is exclusive and in lieu of all other warranties expressed or implied (whether written or oral) including all implied warranties of merchantability and fitness for any particular purpose. No distributor or other person is authorized to assume any liability or obligation for Wilden Pump and Engineering, LLC other than expressly provided herein.

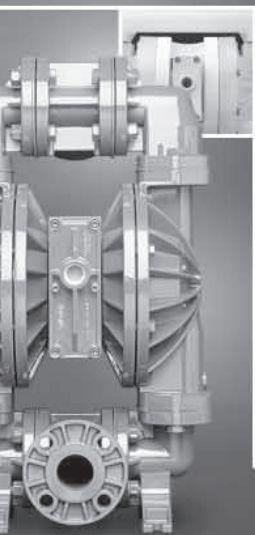
PLEASE PRINT OR TYPE AND FAX TO WILDEN

PUMP INFORMATION			
Item # _____		Serial # _____	
Company Where Purchased _____			
YOUR INFORMATION			
Company Name _____			
Industry _____			
Name _____		Title _____	
Street Address _____			
City _____	State _____	Postal Code _____	Country _____
Telephone _____	Fax _____	E-mail _____	Web Address _____
Number of pumps in facility? _____		Number of Wilden pumps? _____	
Types of pumps in facility (check all that apply): <input type="checkbox"/> Diaphragm <input type="checkbox"/> Centrifugal <input type="checkbox"/> Gear <input type="checkbox"/> Submersible <input type="checkbox"/> Lobe			
<input type="checkbox"/> Other _____			
Media being pumped? _____			
How did you hear of Wilden Pump? <input type="checkbox"/> Trade Journal <input type="checkbox"/> Trade Show <input type="checkbox"/> Internet/E-mail <input type="checkbox"/> Distributor			
<input type="checkbox"/> Other _____			

ONCE COMPLETE, FAX TO (909) 783-3440

NOTE: WARRANTY VOID IF PAGE IS NOT FAXED TO WILDEN

WILDEN PUMP & ENGINEERING, LLC



ADVANCED S E R I E S

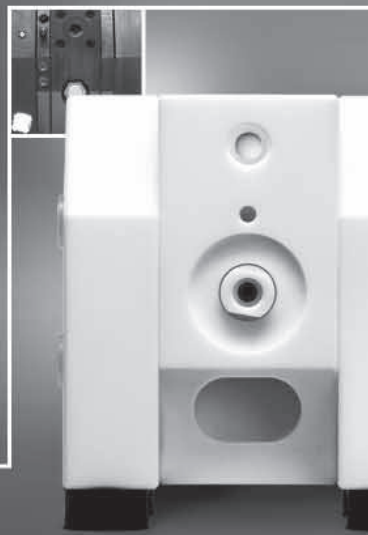
Advance Your Process

- Advanced wetted path designs
- Lower the cost of operation
- Maximize product containment
- Longer MTBF (Mean Time Between Failures)
- Enhanced internal clearance
- The result of advanced thought

UNITEC™ S E R I E S

Enrich Your Process

- Simplicity of design
- Unique Technology
- Reliable, leak-free & quiet
- Validated & certified
- Intrinsically safe
- The result of unique thought



SANIFLO™ S A N I T A R Y P U M P T E C H N O L O G Y

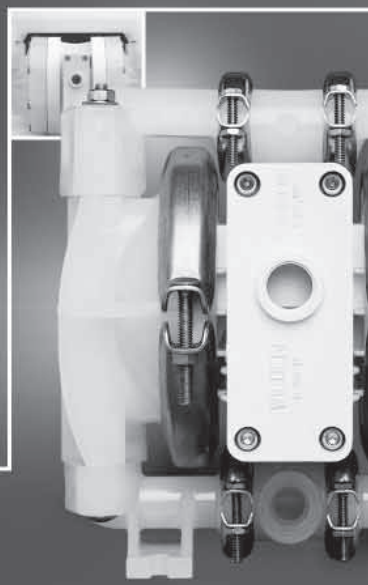
Refine Your Process

- Designed for sanitary applications
- Minimize product degradation
- Improved production yields
- Easy to inspect, clean & assemble
- Minimized water requirements
- The result of progressive thought

ULTRAPURE™ T E F L O N P R O C E S S P U M P S

Optimize Your Process

- Validated & certified
- Clean room assembled
- Low particle count
- Compact, efficient & quiet
- Runs on clean-dry air
- The result of pure thought



ORIGINAL S E R I E S

Simplify Your Process

- Long standing design simplicity
- Portable & submersible
- Variable connection options
- Fewest parts in industry
- Solutions since 1955
- The result of original thought

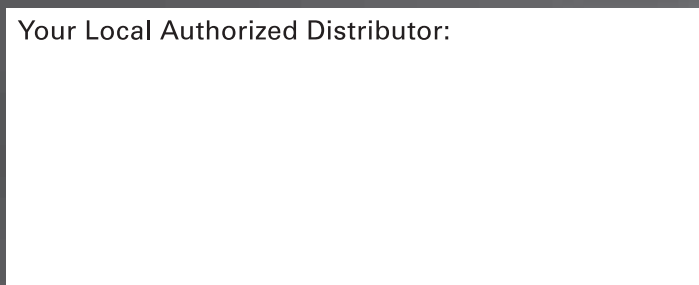
ACCESSORIES

Maximize Your Process

- Electronic control & monitoring
- Level control & containment
- Pulsation dampening
- Drum unloading systems
- Complete system solutions
- The result of innovative thought



Your Local Authorized Distributor:



WILDEN®

A DOVER COMPANY

22069 VAN BUREN STREET • GRAND TERRACE, CA 92313-5607
(909) 422-1730 • FAX (909) 783-3440
www.wildenpump.com

Printed in the U.S.A.

Copyright 2005, Wilden Pump & Engineering, LLC