

PS8 PLASTIC PUMP

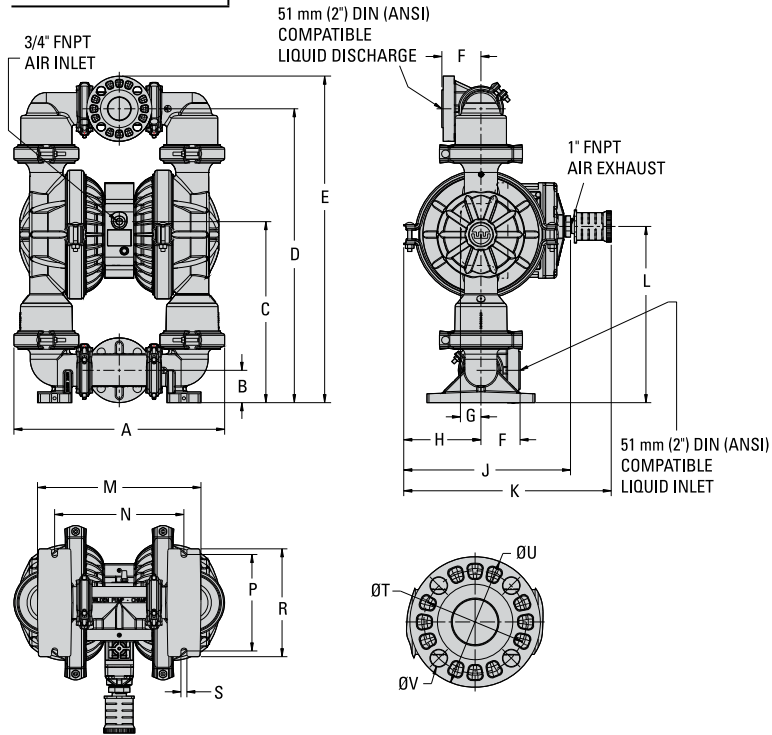
**51 mm (2") Pump
Maximum Flow Rate:
643 lpm (170 gpm)**



PS8 PLASTIC

DIMENSIONAL DRAWING

PS8 Plastic



DIMENSIONS

| ITEM | METRIC (mm) | STANDARD (inch) |
|----------------------------|-------------|-----------------|
| A | 496 | 19.5 |
| B | 76 | 3.0 |
| C | 426 | 16.8 |
| D | 692 | 27.2 |
| E | 769 | 30.3 |
| F | 92 | 3.6 |
| G | 48 | 1.9 |
| H | 182 | 7.5 |
| J | 393 | 15.5 |
| K | 488 | 19.2 |
| L | 415 | 16.3 |
| M | 385 | 15.2 |
| N | 304 | 12.0 |
| P | 227 | 8.9 |
| R | 254 | 10.0 |
| S | 14 | 0.6 |
| DIN/ANSI COMPATIBLE | | |
| T | 121 DIA. | 4.8 DIA. |
| U | 154 DIA. | 6.0 DIA. |
| V | 20 DIA. | 0.8 DIA. |

LW0213 REV. C

PUMP DATA

Specifications:

Ship Weight..... 36 kg (79 lb)
 Air Inlet 3/4"
 Liquid Inlet..... 51 mm (2")
 Liquid Outlet..... 51 mm (2")

PERFORMANCE

**PS8 PLASTIC
FULL-STROKE PTFE-FITTED**

Max. Flow Rate.....597 lpm (158 gpm)
 Max. Inlet Pressure8.6 bar (125 psig)
 Max. Solids Passage..... 6.4 mm (1/4")
 Max. Suction Lift.....6.1 m Dry (19.9')
 8.3 m Wet (27.2')

