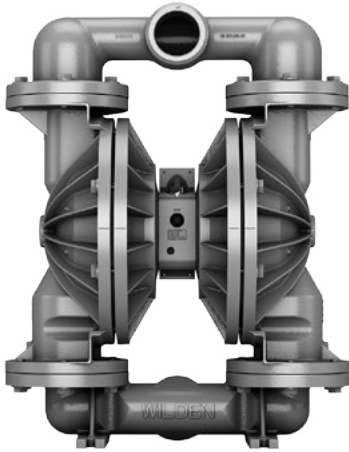
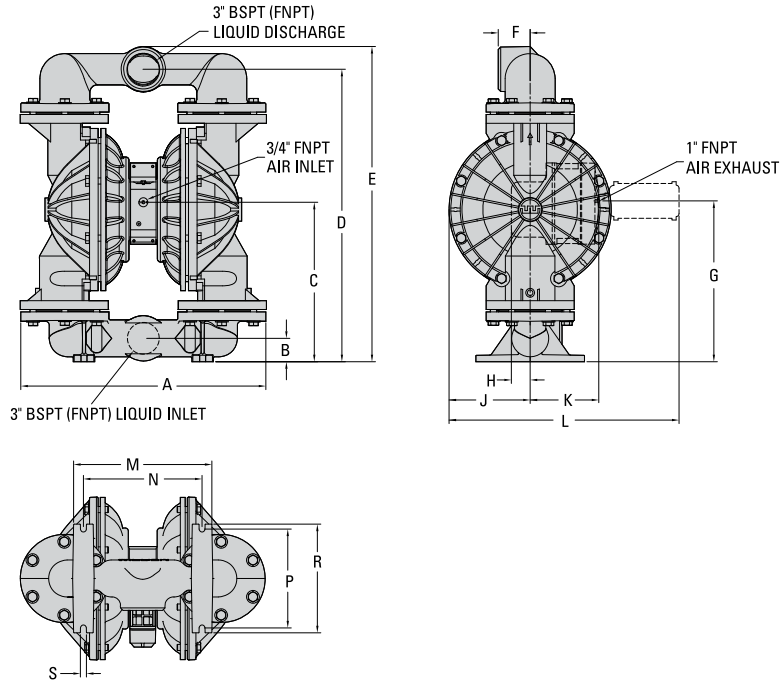


## PX1520 ALUMINUM FIT PUMP

**76 mm (3") Pump**  
**Maximum Flow Rate:**  
**984 lpm (260 gpm)**



### DIMENSIONAL DRAWING



### DIMENSIONS

ITEM	METRIC (mm)	STANDARD (inch)
A	635	25.0
B	61	2.4
C	414	16.3
D	759	29.9
E	818	32.2
F	84.0	3.3
G	417	16.4
H	48	1.9
J	211	8.3
K	178	7.0
L	597	23.5
M	358	14.1
N	307	12.1
P	257	10.1
R	282	11.1
S	15	0.6

LW0095 REV. B

### PUMP DATA

**Specifications:**

Height..... 1,031 mm (40.6")  
 Width..... 615 mm (24.2")  
 Depth..... 422 mm (16.6")  
 Ship Weight ..... 70 kg (152 lb)  
 Air Inlet..... 19 mm (3/4")  
 Liquid Inlet..... 76 mm (3")  
 Liquid Outlet..... 76 mm (3")

**PX1520 ALUMINUM FIT PUMP**

**PERFORMANCE**

---